

# Планетарные мотор-редукторы

## Руководство по эксплуатации

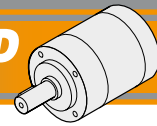


Архангельск (8182)63-90-72  
Астана +7(7172)727-132  
Белгород (4722)40-23-64  
Брянск (4832)59-03-52  
Владивосток (423)249-28-31  
Волгоград (844)278-03-48  
Вологда (8172)26-41-59  
Воронеж (473)204-51-73  
Екатеринбург (343)384-55-89  
Иваново (4932)77-34-06  
Ижевск (3412)26-03-58  
Казань (843)206-01-48

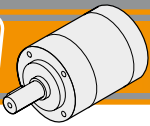
Калининград (4012)72-03-81  
Калуга (4842)92-23-67  
Кемерово (3842)65-04-62  
Киров (8332)68-02-04  
Краснодар (861)203-40-90  
Красноярск (391)204-63-61  
Курск (4712)77-13-04  
Липецк (4742)52-20-81  
Магнитогорск (3519)55-03-13  
Москва (495)268-04-70  
Мурманск (8152)59-64-93  
Набережные Челны (8552)20-53-41

Нижний Новгород (831)429-08-12  
Новокузнецк (3843)20-46-81  
Новосибирск (383)227-86-73  
Орел (4862)44-53-42  
Оренбург (3532)37-68-04  
Пенза (8412)22-31-16  
Пермь (342)205-81-47  
Ростов-на-Дону (863)308-18-15  
Рязань (4912)46-61-64  
Самара (846)206-03-16  
Санкт-Петербург (812)309-46-40  
Саратов (845)249-38-78

Смоленск (4812)29-41-54  
Сочи (862)225-72-31  
Ставрополь (8652)20-65-13  
Тверь (4822)63-31-35  
Томск (3822)98-41-53  
Тула (4872)74-02-29  
Тюмень (3452)66-21-18  
Ульяновск (8422)24-23-59  
Уфа (347)229-48-12  
Челябинск (351)202-03-61  
Череповец (8202)49-02-64  
Ярославль (4852)69-52-93



<b>Indice</b>	<b>Index</b>	Pag. Page
Caratteristiche tecniche	<i>Technical features</i>	<b>C2</b>
Designazione	<i>Classification</i>	<b>C2</b>
Versioni	<i>Versions</i>	<b>C2</b>
Simbologia	<i>Symbols</i>	<b>C2</b>
Lubrificazione	<i>Lubrication</i>	<b>C3</b>
Carichi radiali e assiali	<i>Radial and axial loads</i>	<b>C3</b>
Dati tecnici	<i>Technical data</i>	<b>C4</b>
Dimensioni	<i>Dimensions</i>	<b>C5</b>

**P****RIDUTTORI EPICICLOIDALI**  
**PLANETARY GEAR UNITS****Caratteristiche tecniche****Technical features**

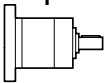
I riduttori epicicloidali della serie P hanno le seguenti caratteristiche principali:

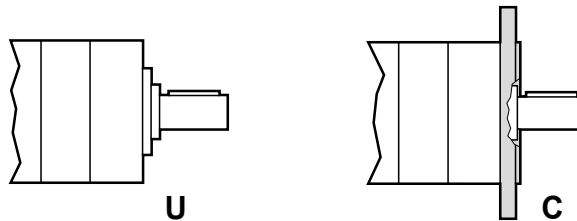
*P planetary gearboxes have the following features:*

- Ingresso ed uscita coassiali
- Senso di rotazione concorde ingresso/uscita
- Alte coppie in ingombri ridotti
- Adatti per servizio continuo ed intermittente

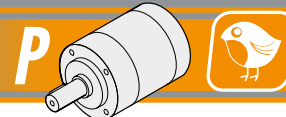
- *Coaxial arrangement of the input and output*
- *Same rotation input/output*
- *Advantageous torque with minimum space requirements*
- *Suitable for continuous, reversing and intermittent operation*

**Designazione****Classification**

RIDUTTORE / GEARBOX					
<b>P</b>	<b>52</b>	<b>2</b>	<b>C</b>	<b>34.97</b>	<b>AS60</b>
Tipo Type	Grandezza Size	Stadi riduttore Gearbox stages	Versione riduttore Gearbox Version	Rapporto Ratio	Flangia ingresso Input flange
	<b>42</b> <b>52</b> <b>62</b> <b>72</b> <b>81</b> <b>105</b> <b>120</b>	<b>1</b> <b>2</b> <b>3</b>	<b>U</b> <b>C80</b> <b>C90</b> <b>C105</b> <b>C120</b> <b>C140</b> <b>C160</b>	Vedere tabella See tables	Vedere tabella See tables

**Versioni****Versions****Simbologia****Symbols**

$N_s$	Stadi / Stages	$M_{n_2}$ [Nm]	Coppia nominale in uscita / Nominal output torque
$n_1$ [min <sup>-1</sup> ]	Velocità in ingresso / Input speed	Rd %	Rendimento dinamico / Dynamic efficiency
$n_2$ [min <sup>-1</sup> ]	Velocità in uscita / Output speed	$A_2$ [N]	Carico assiale ammissibile in uscita / Permitted output axial load
i	Rapporto di riduzione / Ratio	$R_2$ [N]	Carico radiale ammissibile in uscita / Permitted output radial load

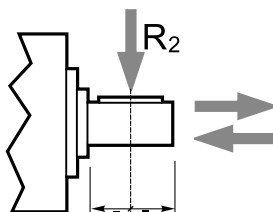

**Lubrificazione**

Tutti i riduttori P sono forniti completi di lubrificante, pertanto possono essere installati in qualunque posizione di montaggio e non necessitano di manutenzione.

**Lubrication**

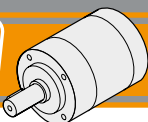
*Permanent grease long-life lubrication makes it possible to use P in all mounting positions.*

Temperatura ambiente di funzionamento consentita / <i>Operating environmental temperature range</i>	-50 / +40 °C
---	--------------

**Carichi radiali e assiali**
**Radial and axial loads**


$n_1 = 3000 \text{ min}^{-1}$

Grandezza Size	Albero uscita / <i>Output shaft</i>						Albero entrata / <i>Input shaft</i>	
	1 stadio / <i>stage</i>		2 stadi / <i>stages</i>		3 stadi / <i>stages</i>		1 - 2 - 3 stadi / <i>stages</i>	
	$R_2$ [N]	$A_2$ [N]	$R_2$ [N]	$A_2$ [N]	$R_2$ [N]	$A_2$ [N]	$R_2$ [N]	$A_2$ [N]
<b>P42</b>	160	50	230	80	300	110	70	40
<b>P52</b>	200	60	320	100	450	150	110	50
<b>P62</b>	240	70	360	100	520	150	120	60
<b>P72</b>	320	70	480	100	760	160	160	80
<b>P81</b>	400	80	600	120	1000	200	200	100
<b>P105</b>	600	120	900	180	1500	300	240	125
<b>P120</b>	600	120	900	180	1500	300	300	150

**P****RIDUTTORI EPICICLOIDALI**  
**PLANETARY GEAR UNITS****Dati tecnici****Technical data**

Ns	i	Mn <sub>2</sub> [Nm]													
		P42		P52		P62		P72		P81		P105		P120	
		3000 rpm	1400 rpm	3000 rpm	1400 rpm	3000 rpm	1400 rpm	3000 rpm	1400 rpm	3000 rpm	1400 rpm	3000 rpm	1400 rpm	3000 rpm	1400 rpm
<b>1</b>	3.70													50	64
	4.28	3	3.9	4	5.1	8	10	14	18	20	25	35	45	—	—
	5.18													—	—
	6.75													50	64
<b>2</b>	13.73													150	192
	15.88													—	—
	18.36													—	—
	19.20													—	—
	22.20	7.5	9.6	12	15	25	32	42	54	60	77	105	134	—	—
	25.01													150	192
	26.85													—	—
	28.93													—	—
	34.97													—	—
	45.56													150	192
<b>3</b>	50.89													300	384
	58.85													—	—
	68.06													—	—
	71.16													—	—
	78.71													—	—
	92.70													300	384
	95.17													—	—
	99.50													—	—
	107.20													—	—
	115.07	15	19	25	32	50	64	84	107	120	154	195	250	—	—
	123.97													—	—
	129.62													—	—
	139.13													—	—
	149.90													—	—
	168.84													300	384
	181.24													—	—
195.26													—	—	
236.09													—	—	
307.54													300	384	

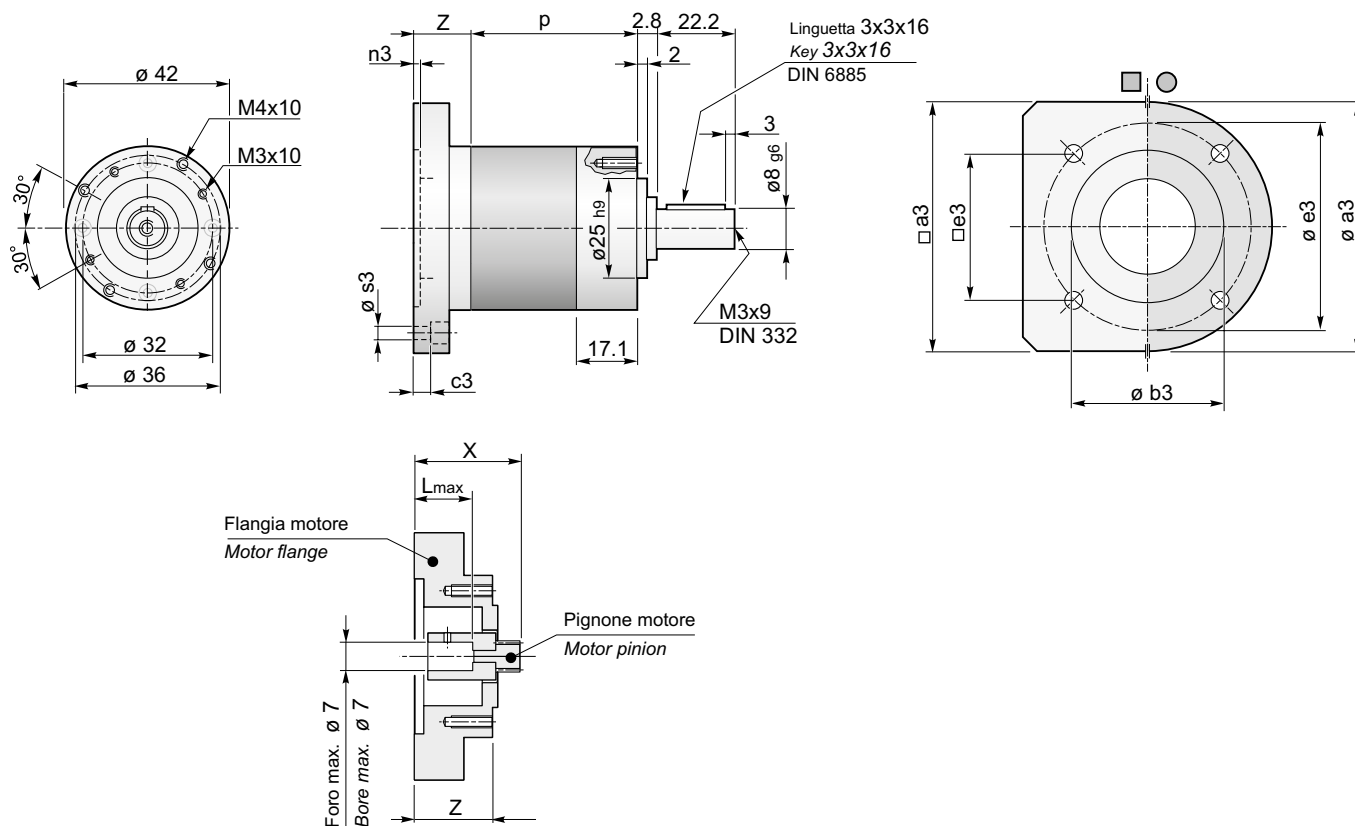
**Rapporti preferenziali / Preferred ratios**

Disponibili 4 stadi con rapporti fino a 2076 / Available 4 stages with ratio up to 2076

Dimensioni

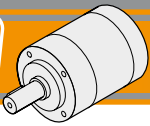
Dimensions

P42 U



	Lunghezza riduttore Gearbox length		Peso Weight [kg]
	P		
P42...	1	39	0.4
	2	52	0.5
	3	65	0.6

P42	Flange entrata / Input flanges									
	Flangia Flange	a3	b3	c3	e3	n3	s3	Z	L max	X
	AS05	□ 42	22	17	□ 31	3	4 - Ø 3.5	32	25	42.7
	AS11	□ 56	38.1	/	□ 47.14	3	4 - M4	27	21	37.5
	AS32	Ø 42	22	13	Ø 32	3	4 - Ø 3.5	21	15	31.5
	AS33	Ø 42	16	16	Ø 25.5	3	4 - Ø 3.5	21	15	31.5
	AS47	Ø 64	28	5	Ø 50	3	3 - Ø 4.5	26.5	25	37
	AS58	□ 52	36	/	□ 41	2	4 - M4	27	21	37.5
	AS63	Ø 44	16	24	Ø 22	2	6 - Ø 3.3	31	25	39
	AS70	Ø 80	50	8.2	Ø 65	3	4 - Ø 5.5	26	20	36.5
	AS117	□ 56	22	3	Ø 40	3	4 - Ø 5.5	19	13	29.7
				/	□ 47		4 - M4			
	AS130	Ø 52	25	15	Ø 40	3	4 - Ø 5.5	21	15	31.5
	AS134	Ø 77	50	8.2	Ø 65	3	4 - Ø 5.5	21	15	31.5
				/	Ø 65		4 - M5			
	AS213	□ 60	36	/	□ 50	2.5	4 - M4	28.9	23	39.4



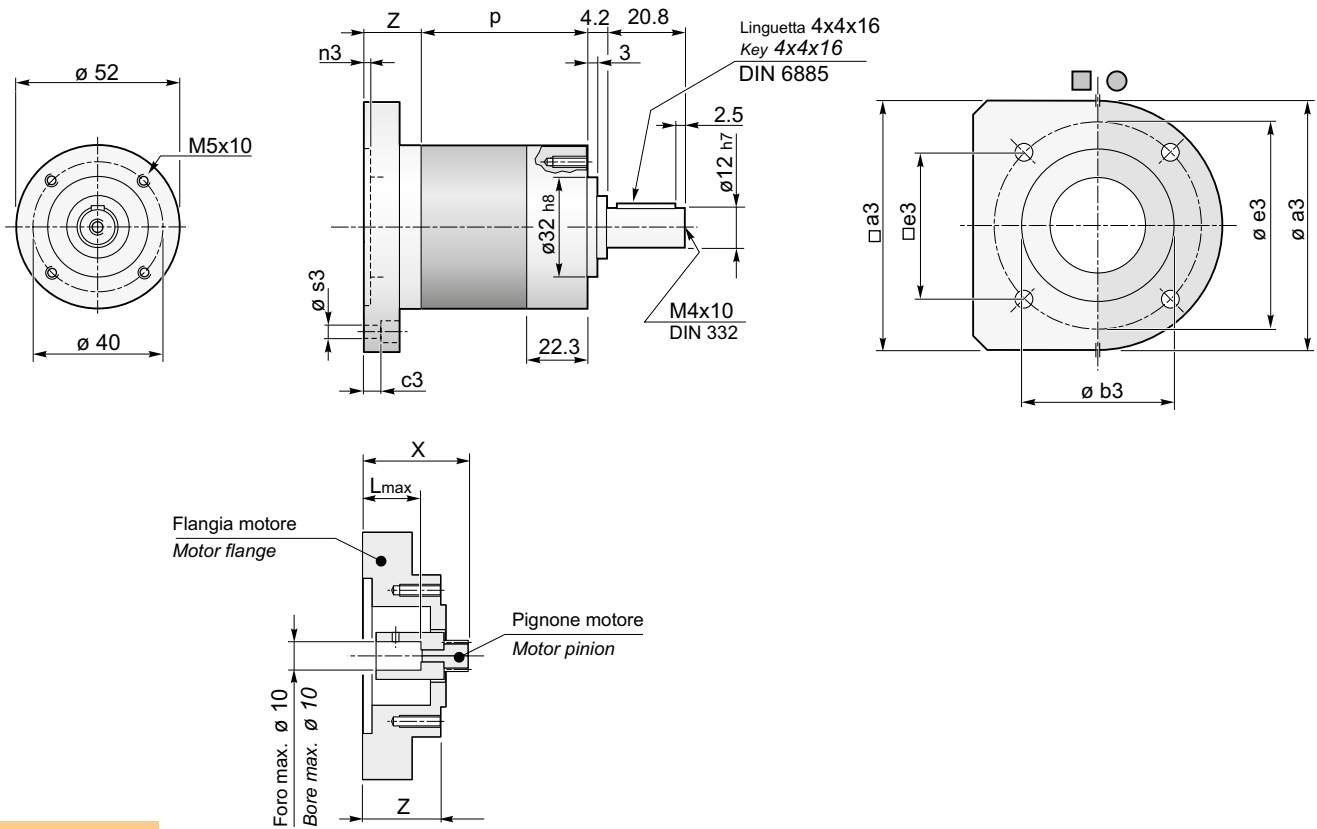
**P**

**RIDUTTORI EPICICLOIDALI**  
**PLANETARY GEAR UNITS**

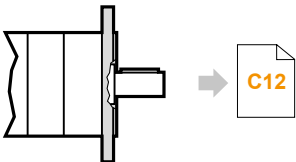
**Dimensioni**

**Dimensions**

**P52 U**



**P52 C..**



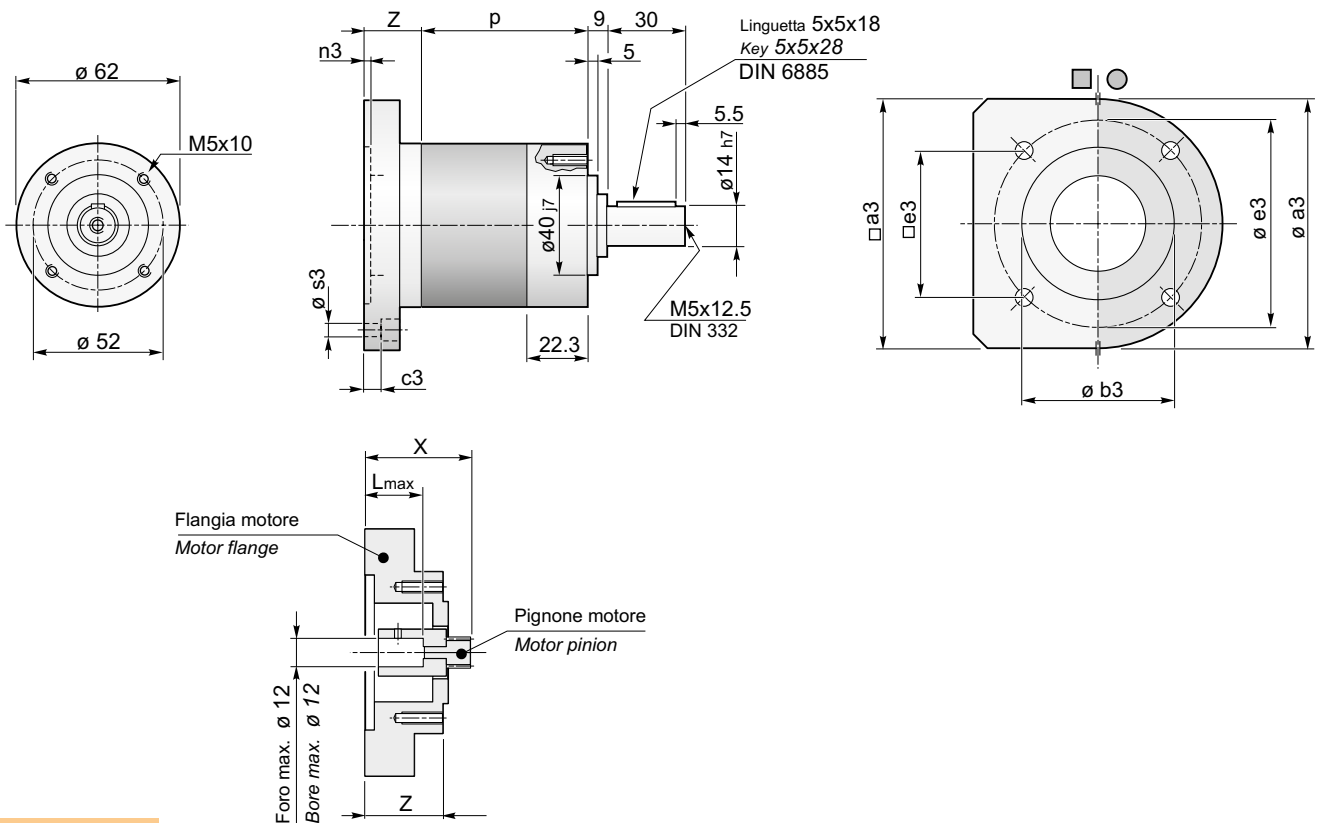
		Lunghezza riduttore Gearbox length	Peso Weight [kg]
		P	
P52...	1	46	0.7
	2	60	0.9
	3	74	1.1

	Flange entrata / Input flanges										
	Flangia Flange	IEC	a3	b3	c3	e3	n3	s3	Z	L max	X
P52	AS09	\	□ 60	36	/	□ 50	2	4 - M4	27	20.6	37.5
	AS23	\	∅ 60	26	17.5	∅ 39	3	4 - ∅ 5.5	26.5	20	37
	AS36	\	∅ 60	28	15	∅ 42	3	4 - ∅ 5.5	21	15	31.5
	AS38	\	∅ 65	32	18	∅ 46	3	4 - ∅ 4.5	29	22.5	39.5
	AS50	\	∅ 79	45	14.5	∅ 65.5	3.5	4 - ∅ 5.5	32	24	42.5
	AS51	\	∅ 68	28	21.5	∅ 50	3	3 - ∅ 4.5	31.5	24	42
	AS60	56B14	∅ 80	50	10.2	∅ 65	3	4 - ∅ 5.5	28	20	38.5
	AS68	\	∅ 52	22	13	∅ 30	3	4 - ∅ 4.5	28	20	38.5
	AS86	\	∅ 52	30	/	∅ 46	3	4 - M4	33.5	25	44
	AS109	\	∅ 80	55	10	∅ 65	3	4 - ∅ 6.5	24	16	34.5
	AS115	\	∅ 52	25	17.5	∅ 40	3	4 - ∅ 5.5	26.5	20	37
	AS140	\	∅ 80	50	10.2	∅ 65	3	4 - ∅ 5.5	28	20	38.5

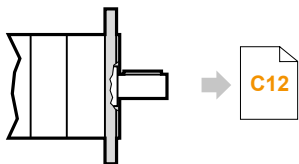
Dimensioni

Dimensions

P62 U



P62 C..



		Lunghezza riduttore Gearbox length		Peso Weight [kg]
		P		
P62...	1	46		0.8
	2	62		1.2
	3	78		1.6

P62	Flange entrata / Input flanges										
	Flangia Flange	IEC	a3	b3	c3	e3	n3	s3	Z	L max	X
	AS08	\	□ 60	50	/	□ 49.5	4	4 - M4	37	30	49.8
	AS12	\	□ 84.5	73.02	/	□ 69.6	2	4 - M5	40	30	52.8
	AS15	\	□ 58	38.1	/	□ 47.14	2	4 - M4	30	20.6	42.8
	AS61	63B14	Ø 90	60	7	Ø 75	3	4 - Ø 5.5	30	23	42.8
	AS244	56B14	Ø 80	50	5	Ø 65	3.5	4 - Ø 5.5	28	20	40.8

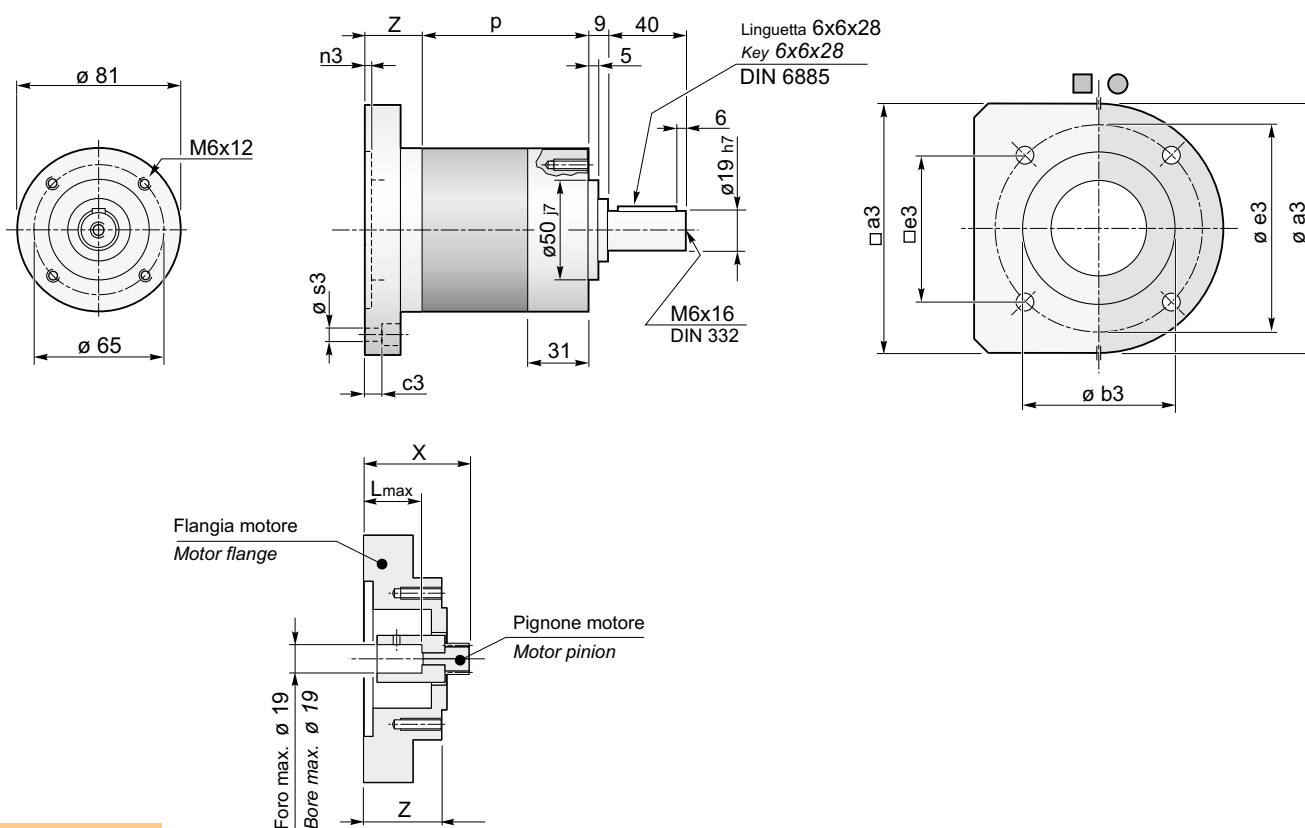




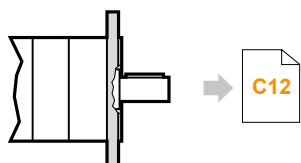
Dimensioni

Dimensions

P81 U

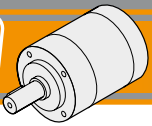
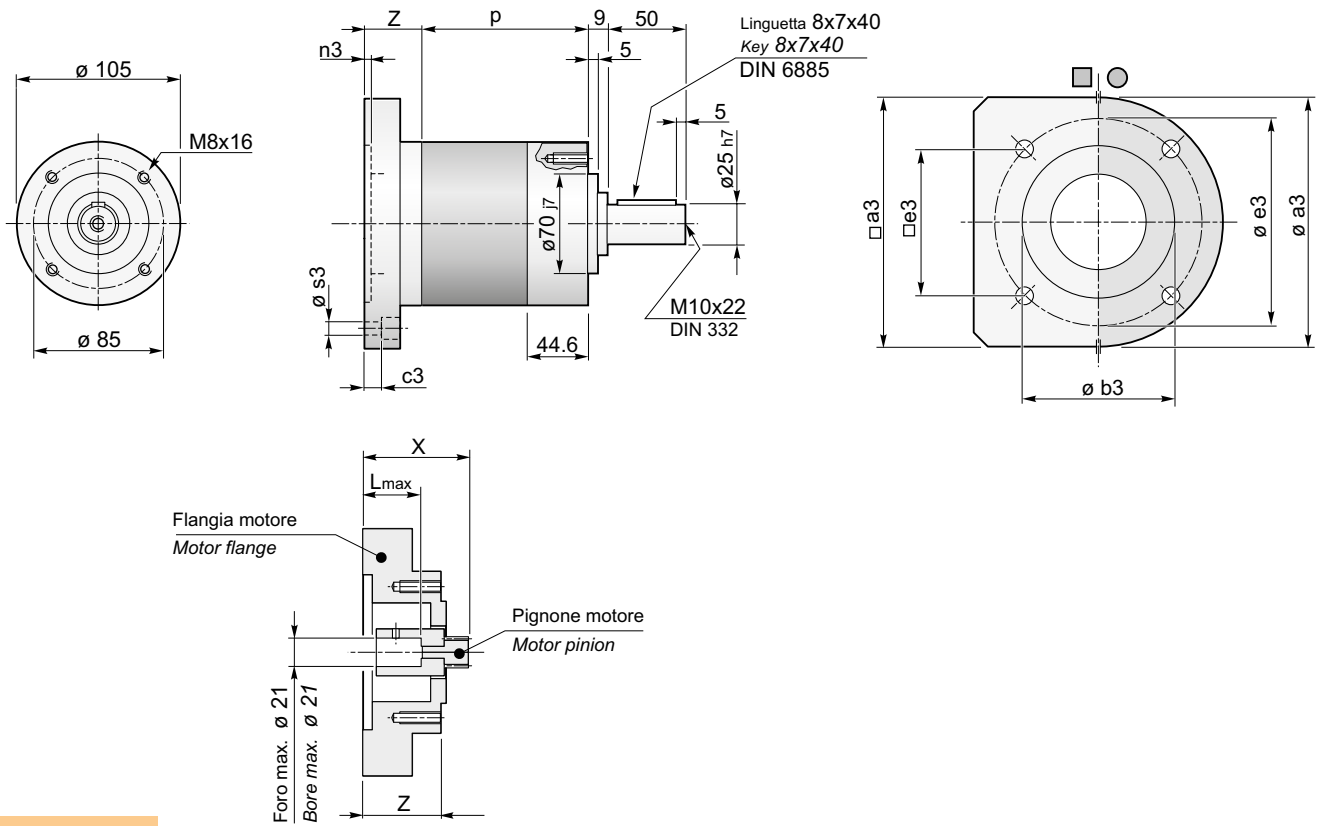
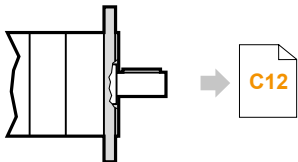


P81 C..



		Lunghezza riduttore Gearbox length	Peso Weight [kg]
		P	
P81...	1	59	1.8
	2	81	2.5
	3	103	3.2

P81	Flange entrata / Input flanges										
	Flangia Flange	IEC	a3	b3	c3	e3	n3	s3	Z	L max	X
	AS04	\	□ 100	95	25	∅ 115	3.5	4 - ∅ 9	43	30	59.3
	AS12B	\	□ 85	73.02	—	□ 69.6	2	4 - M5	43	30	59.3
	AS18	\	∅ 114	80	26	∅ 100	4	4 - ∅ 6.5	53	40	69.3
	AS30	\	∅ 80	50	35.5	∅ 70	3.5	4 - ∅ 5.5	42.5	28	58.8
	AS40	\	□ 80	70	26.5	∅ 90	4	4 - ∅ 6.5	52.5	40	68.8
	AS73	\	□ 110	55.524	49.8	□ 88.9	2	4 - ∅ 8.5	67.8	55.63	84.1
	AS92	\	□ 85	35	—	□ 69.6	10.5	4 - M5	53	40.2	69.3
	AS248	56B14	∅ 80	50	5	∅ 65	3.5	4 - ∅ 5.5	35	20	48.3
	AS249	63B14	∅ 90	60	5	∅ 75	3.5	4 - ∅ 5.5	35	23	51.3
	AS254	71B14	∅ 105	70	6	∅ 85	4	4 - ∅ 6.5	42	30	58.3
	AS280	80B14	∅ 120	80	10	∅ 100	4	4 - ∅ 6.5	52	40	68.3

**P****RIDUTTORI EPICICLOIDALI  
PLANETARY GEAR UNITS****Dimensioni****Dimensions****P105 U****P105 C..**

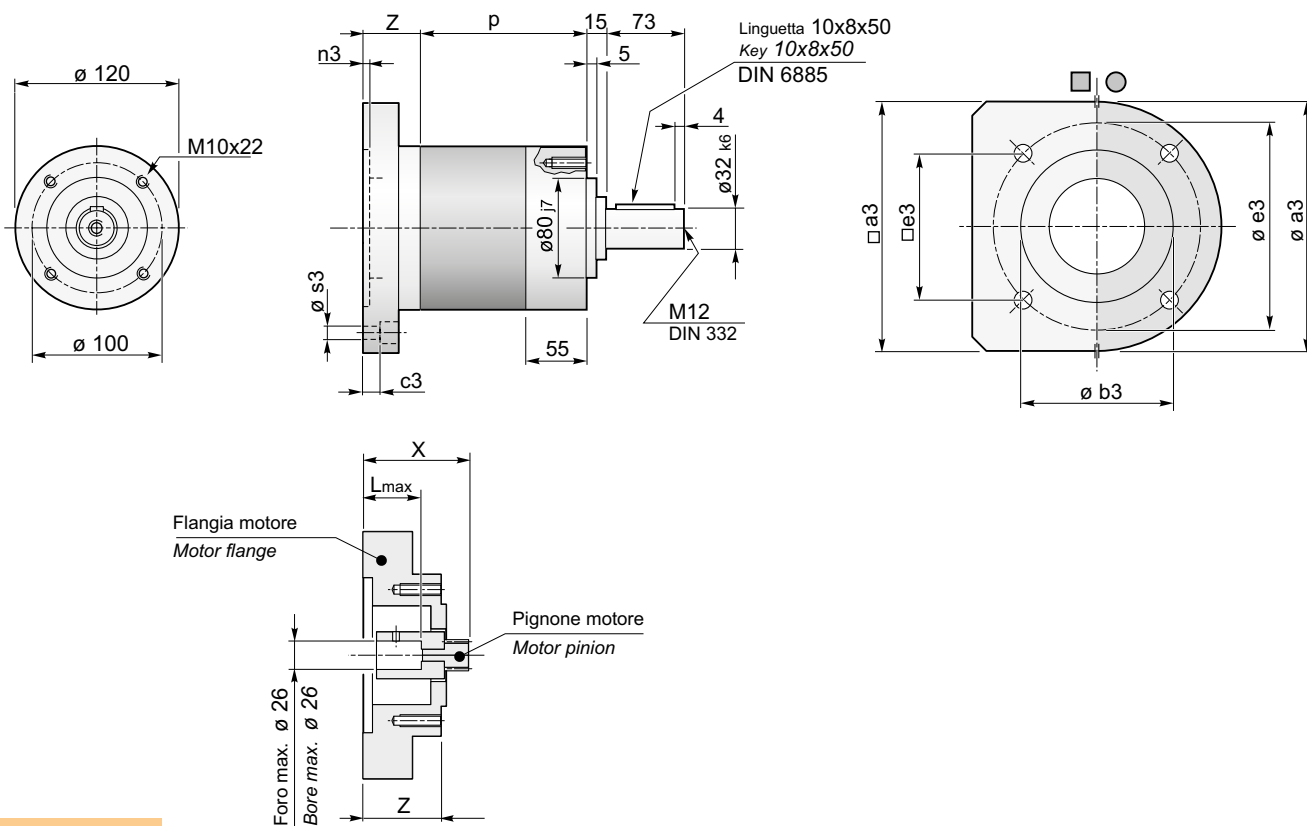
		Lunghezza riduttore Gearbox length	Peso Weight [kg]
		P	
<b>P105...</b>	<b>1</b>	76.4	4.4
	<b>2</b>	107.5	6.0
	<b>3</b>	138.5	7.6

<b>P105</b>	Flange entrata / Input flanges										
	Flangia Flange	IEC	a3	b3	c3	e3	n3	s3	Z	L max	X
	<b>AS250</b>	56B14	$\varnothing 105$	50	5	$\varnothing 65$	3.5	4 - $\varnothing 5.5$	40	20	52.3
	<b>AS251</b>	63B14	$\varnothing 105$	60	5	$\varnothing 75$	3.5	4 - $\varnothing 5.5$	40	23	55.3
	<b>AS252</b>	71B14	$\varnothing 105$	70	6	$\varnothing 85$	4	4 - $\varnothing 6.5$	47	30	62.3
<b>AS281</b>	80B14	$\varnothing 120$	80	8	$\varnothing 100$	4	4 - $\varnothing 6.5$	57.5	40	72.3	

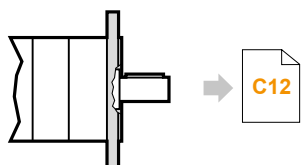
**Dimensioni**

**Dimensions**

**P120 U**

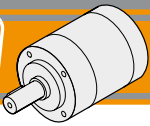
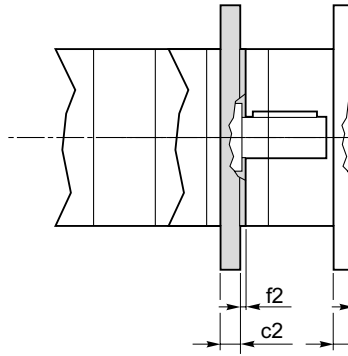
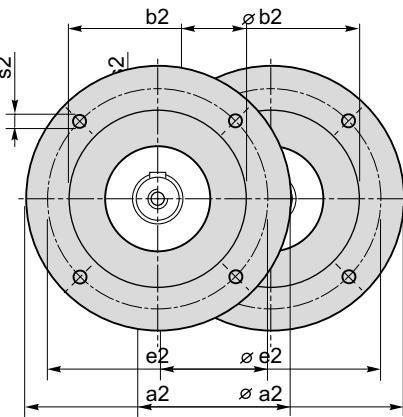


**P120 C..**



	Lunghezza riduttore Gearbox length		Peso Weight [kg]
	P		
P120...	1	89.7	5.6
	2	123.9	8.0
	3	158.1	10.4

P120	Flange entrata / Input flanges										
	Flangia Flange	IEC	a3	b3	c3	e3	n3	s3	Z	L max	X
	AS255	56B14	$\varnothing 120$	50	5	$\varnothing 65$	3.5	4 - $\varnothing 5.5$	44.7	20	60.2
	AS256	63B14	$\varnothing 120$	60	5	$\varnothing 75$	3.5	4 - $\varnothing 5.5$	44.7	23	63.2
	AS257	71B14	$\varnothing 120$	70	6	$\varnothing 85$	4	4 - $\varnothing 6.5$	46.8	30	70.2
	AS282	80B14	$\varnothing 120$	80	8	$\varnothing 100$	4	4 - $\varnothing 6.5$	56.8	40	80.2
	AS283	90B14	$\varnothing 140$	95	10	$\varnothing 115$	4.5	4 - $\varnothing 8.5$	66.8	50	90.2

**P****RIDUTTORI EPICICLOIDALI  
PLANETARY GEAR UNITS****Dimensioni****Dimensions****P.. C..****Flange uscita / Output flanges**

P	a2	b2	c2	e2	f2	s2	Flangia Flange
52	80	50 j7	9	65	2.5	M5	C80
	90	60 j7	9	75	2.5	5.5	C90
	105	70 j7	9	85	2.5	6.5	C105
	120	80 j7	9	100	3.0	6.5	C120
62	80	50 j7	9	65	2.5	M5	C80
	90	60 j7	9	75	2.5	5.5	C90
	105	70 j7	9	85	2.5	6.5	C105
	120	80 j7	9	100	3.0	6.5	C120
72	80	50 j7	9	65	2.5	M5	C80
	90	60 j7	9	75	2.5	M5	C90
	105	70 j7	9	85	2.5	6.5	C105
81	90	60 j7	9	75	2.5	M5	C90
	105	70 j7	9	85	2.5	M6	C105
	120	80 j7	9	100	3.0	6.5	C120
105	120	80 j7	12	100	3	M6	C120
	140	95 j7	12	115	3.5	M8	C140
	160	110 j7	12	130	3.5	M8	C160
120	140	95 j7	15	115	3	M8	C140
	160	110 j7	15	130	3.5	M8	C160

Архангельск (8182)63-90-72  
Астана +7(7172)727-132  
Белгород (4722)40-23-64  
Брянск (4832)59-03-52  
Владивосток (423)249-28-31  
Волгоград (844)278-03-48  
Вологда (8172)26-41-59  
Воронеж (473)204-51-73  
Екатеринбург (343)384-55-89  
Иваново (4932)77-34-06  
Ижевск (3412)26-03-58  
Казань (843)206-01-48

Калининград (4012)72-03-81  
Калуга (4842)92-23-67  
Кемерово (3842)65-04-62  
Киров (8332)68-02-04  
Краснодар (861)203-40-90  
Красноярск (391)204-63-61  
Курск (4712)77-13-04  
Липецк (4742)52-20-81  
Магнитогорск (3519)55-03-13  
Москва (495)268-04-70  
Мурманск (8152)59-64-93  
Набережные Челны (8552)20-53-41

Нижний Новгород (831)429-08-12  
Новокузнецк (3843)20-46-81  
Новосибирск (383)227-86-73  
Орел (4862)44-53-42  
Оренбург (3532)37-68-04  
Пенза (8412)22-31-16  
Пермь (342)205-81-47  
Ростов-на-Дону (863)308-18-15  
Рязань (4912)46-61-64  
Самара (846)206-03-16  
Санкт-Петербург (812)309-46-40  
Саратов (845)249-38-78

Смоленск (4812)29-41-54  
Сочи (862)225-72-31  
Ставрополь (8652)20-65-13  
Тверь (4822)63-31-35  
Томск (3822)98-41-53  
Тула (4872)74-02-29  
Тюмень (3452)66-21-18  
Ульяновск (8422)24-23-59  
Уфа (347)229-48-12  
Челябинск (351)202-03-61  
Череповец (8202)49-02-64  
Ярославль (4852)69-52-93

Единый адрес для всех регионов: ton@nt-rt.ru || www.transtecno.nt-rt.ru